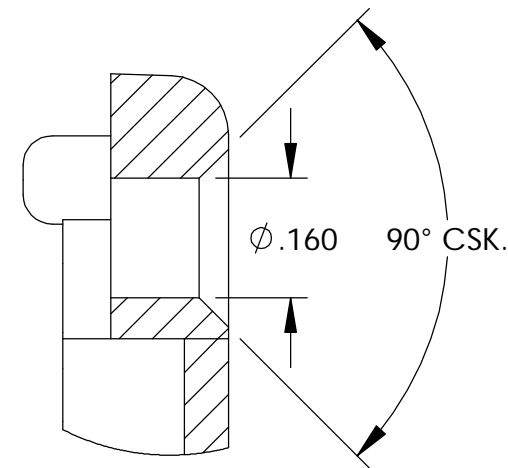


THE INFORMATION CONTAINED IN THIS DRAWING IS THE SOLE PROPERTY OF BUD INDUSTRIES INC. ANY REPRODUCTION IN PART OR WHOLE WITHOUT THE WRITTEN PERMISSION OF BUD INDUSTRIES INC. IS PROHIBITED.

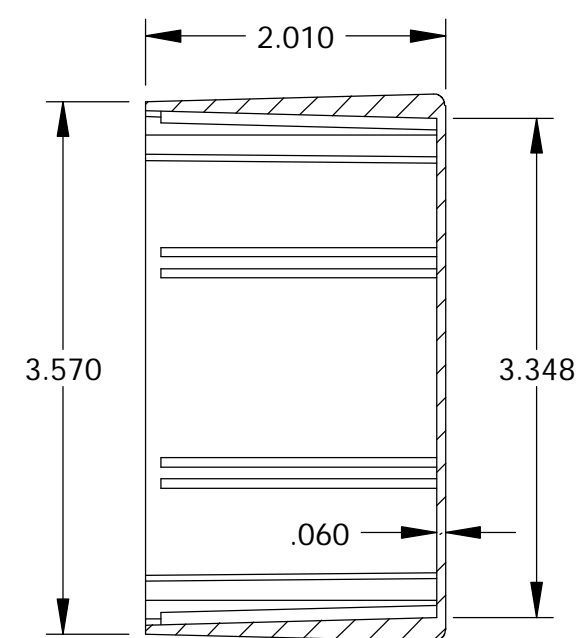
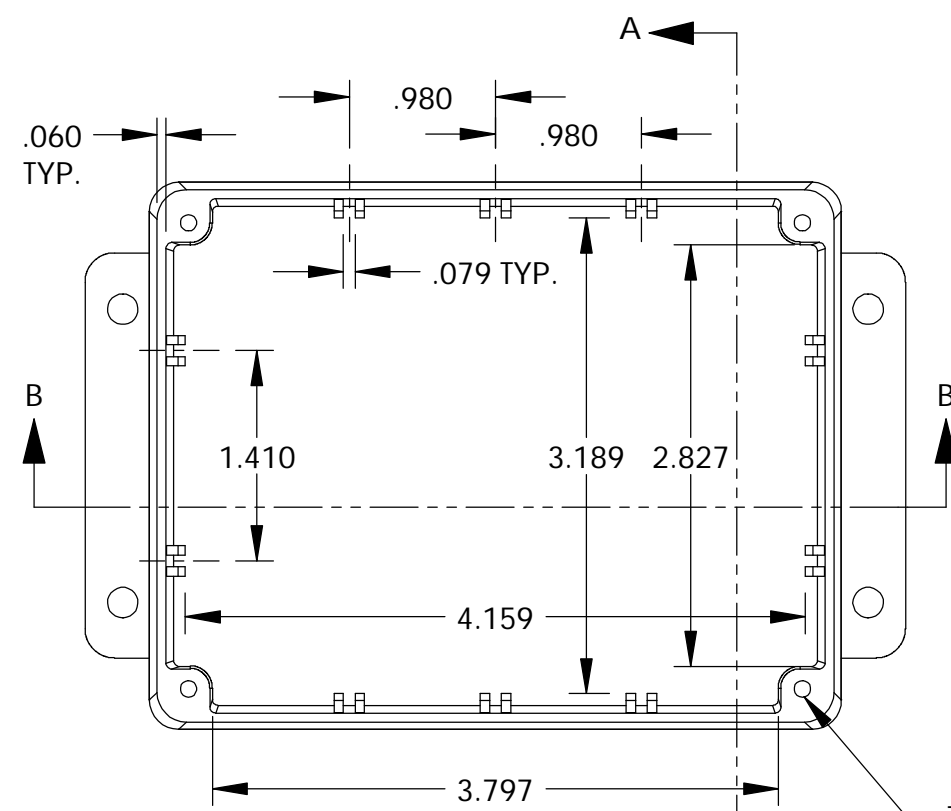
MATERIAL - ALUMINUM ALLOY #ADC-12  
 FINISH - NATURAL (CONTACT BUD FACTORY FOR ALTERNATE FINISHES)  
 GASKET - RATED IP65 NEOPRENE, SELF-ADHESIVE, 3mm THICK, COLOR BLACK  
 SCREWS - STAINLESS STEEL, M3.5 x 12mm LG., CSK. HEAD, SELF-THREADING

ALL HOLE DIAMETERS HAVE  $\pm .005$  TOLERANCE.  
 ALL OTHER DIMENSIONS HAVE  $\pm .015$  TOLERANCE.  
 ENCLOSURES ARE SHIPPED UNASSEMBLED WITH ALL ITEMS SHOWN.

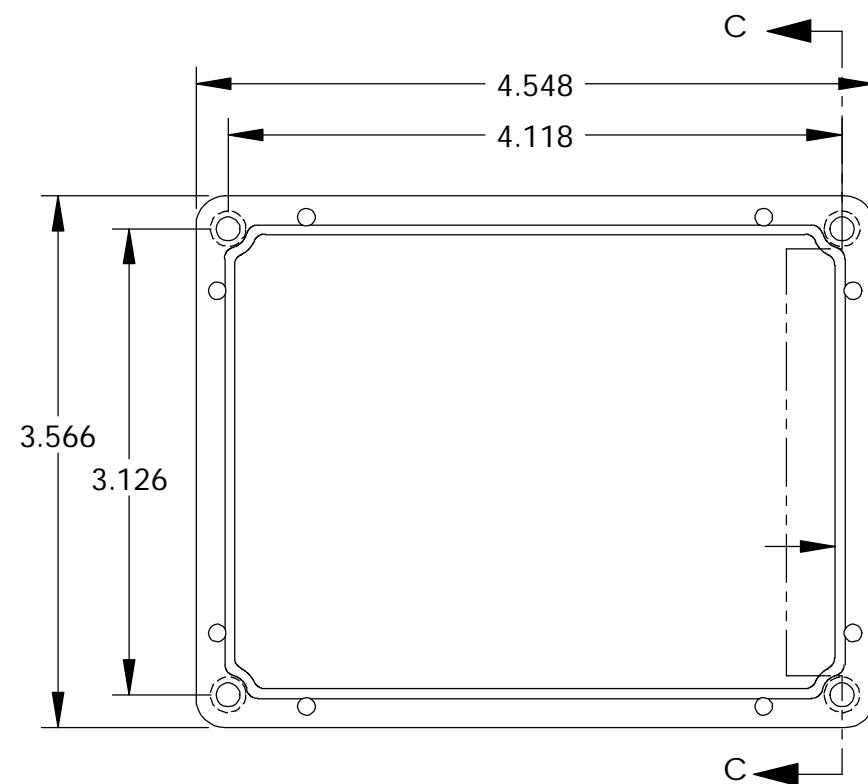
DWG. NO.	CN-6705
ISSUE	REVISIONS



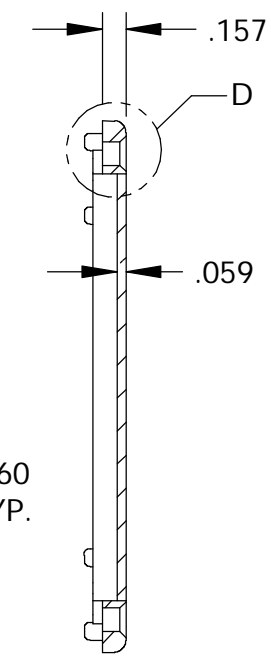
DETAIL D  
SCALE 4 : 1



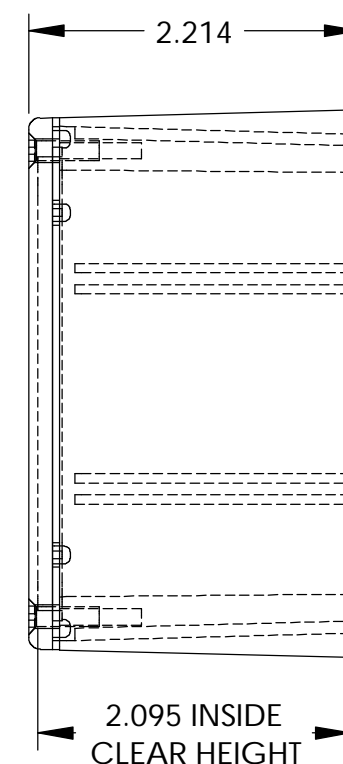
SECTION A-A



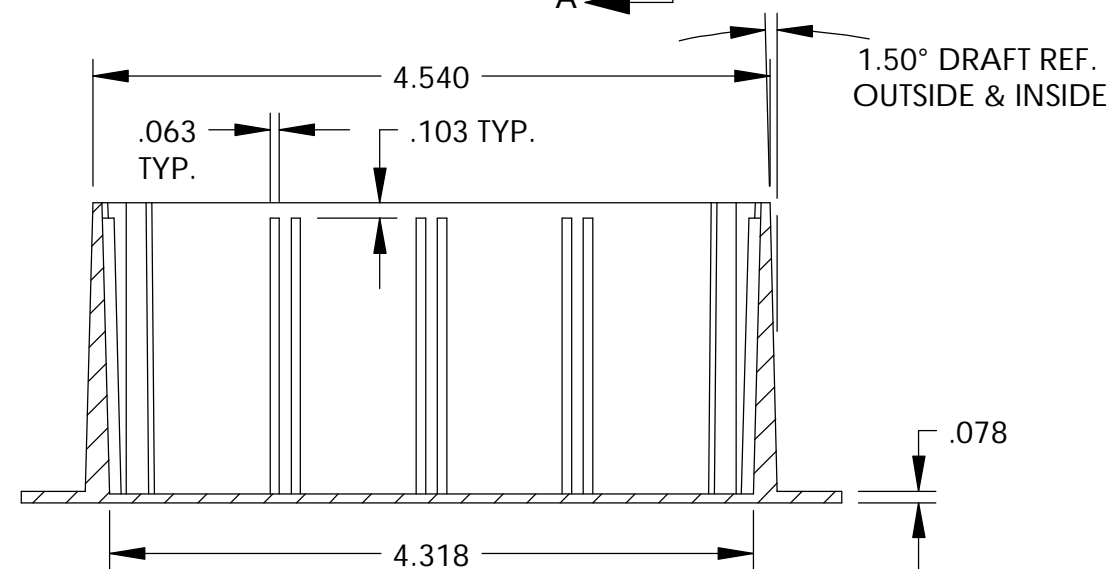
COVER



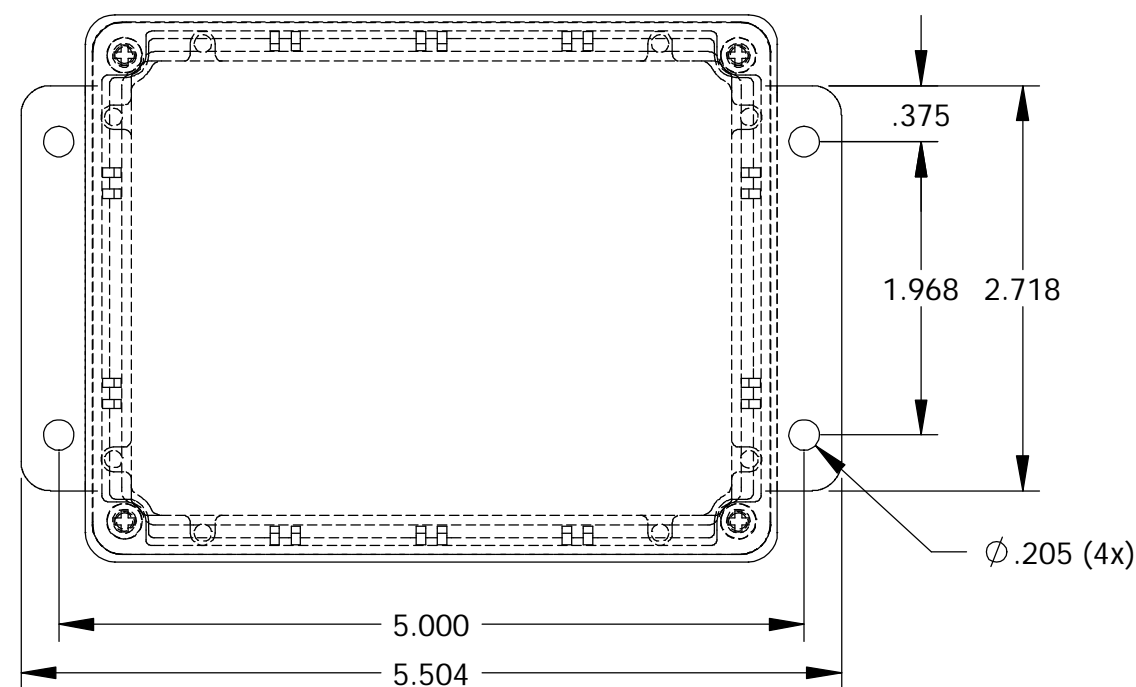
SECTION C-C



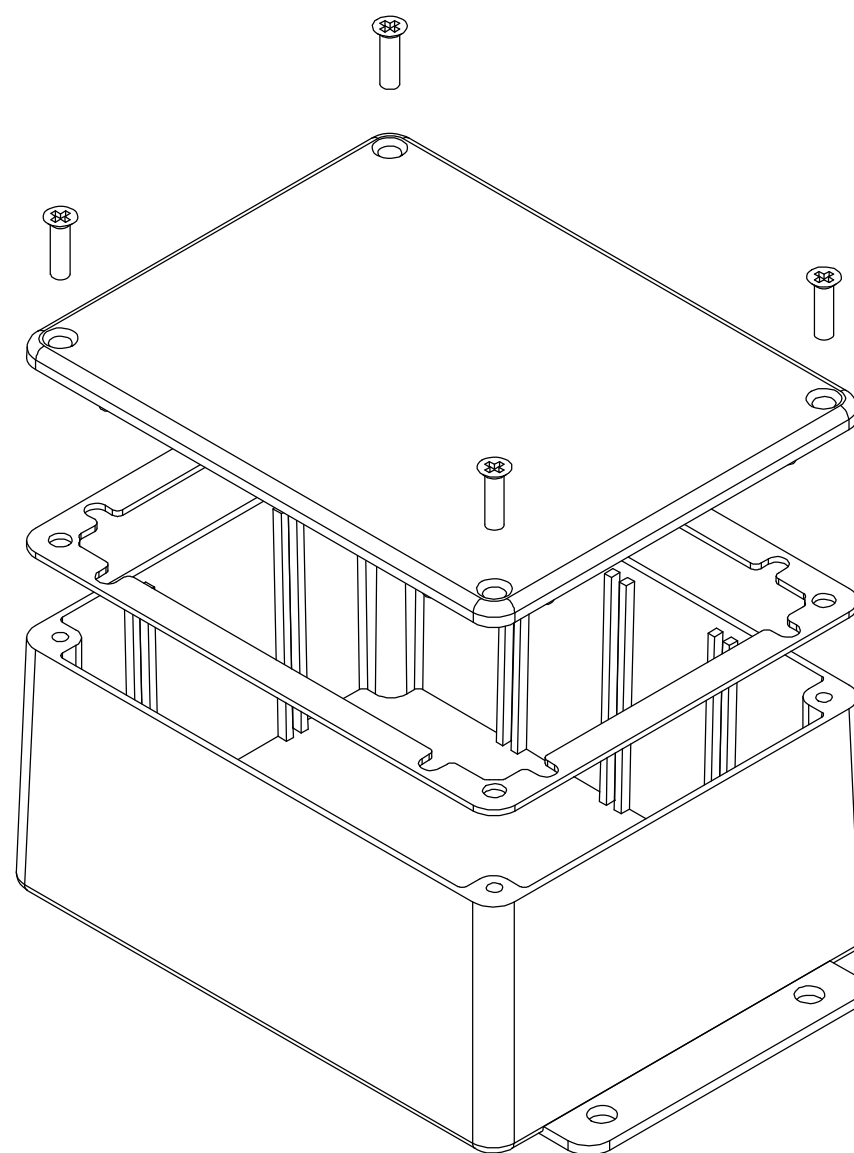
2.095 INSIDE CLEAR HEIGHT



SECTION B-B



$\phi .205 (4x)$



PARTS LIST		BUD INDUSTRIES INC.	
APPROVALS	DATE	DIE CAST ALUMINUM ENCLOSURE	
DRAWN: DAB	4-3-06		
CHECKED:		DWG. NO. CN-6705	
APPROVED:			
FINISH: AS NOTED	DO NOT SCALE DRAWING	SCALE: C	SHEET 1 OF 1